

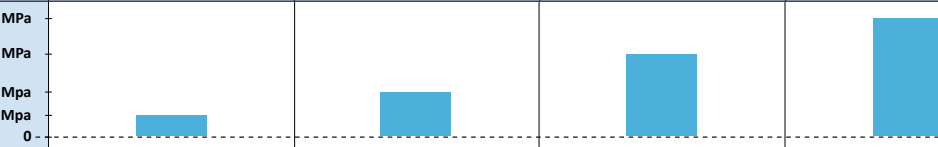
KP52 RoHS SERIES



FEATURES

- Sensor parts & Fitting parts : Stainless steel 316L , fluororubber
- 2-color digital LCD display
- Copy function
- Programmable pressure unit : MPa 、 kgf/cm² 、 bar 、 psi
- IP65 enclosure

SPECIFICATIONS

MODEL		KP52H07	KP52H10	KP52H25	KP52H40
					
Rated pressure range		0 ~ 7.00 MPa	0 ~ 10.00 MPa	0 ~ 25.0 MPa	0 ~ 40.0 MPa
Setting pressure range		0 ~ 7.00 MPa	0 ~ 10.00 MPa	0 ~ 25.0 MPa	0 ~ 40.0 MPa
Withstand pressure		14 MPa	20 MPa	50 MPa	80 MPa
Fluid		Fluids do not corrode stainless steel 316L , fluororubber (FKM)			
Sealed liquid		Silicon oil			
Set pressure resolution	MPa	0.01		0.1	
	kgf/cm ²	0.1		1	
	bar	0.1		1	
	psi	1		1*5	
Power supply voltage		12 to 24V DC ±10%, Ripple (P-P) 10% or less			
Current consumption		≤ 40mA (With no load)			
Switch output		NPN : open collector 2 outputs Max. load current : 125mA Max. supply voltage : 30V DC Residual voltage : ≤ 1.5V		PNP : open collector 2 outputs Max. load current : 125mA Max. supply voltage : 24V DC Residual voltage : ≤ 1.5V	
Repeatability (Switch output)		±0.3% F.S. ±1 digit			
Hysteresis	One point set mode	Adjustable *1			
	Hysteresis mode				
	Window comparator mode				
Response time		≤ 2.5ms (chattering-proof function : 25ms, 100ms, 250ms, 500ms, 1000ms and 1500ms selectable)			
Output short circuit protection		Yes			
7 segment LCD display		3½ digit, 7 segment (red/green)			
Indicator accuracy		±2% F.S. ±1 digit (ambient temperature : 25 ±3°C)			
Switch ON Indicator		Orange (1&2 Indicator) OUT1 OUT2			
Analog output (Voltage Output) *2	Output Voltage	1 to 5V ±2.5% F.S. (within rated pressure range)			
	Output impedance	about 1kΩ			
	Linearity	±1% F.S.			
Analog output (Current Output) *3	Output Current	4 to 20mA ±2.5% F.S. (within rated pressure range)			
	Max.Load impedance	250Ω at power supply of 12V , 600Ω at power supply of 24V			
	Min.Load impedance	50Ω			
	Linearity	±1% F.S.			
Environment	Enclosure	IP 65			
	Ambient temp. range	Operation : 0 ~ 50°C, Storage : -10 ~ 60°C (No condensation or freezing)			
	Ambient humidity range	Operation/Storage : 35 ~ 85% RH (No condensation)			
	Withstand voltage	250V AC in 1-min (between case and lead wire)			
	Insulation resistance	50MΩ (at 500V DC, between case and lead wire)			
	Vibration	Total amplitude 1.5mm or 10G, 10Hz-55Hz-10Hz scan for 1 minute, two hours each direction of X, Y and Z			
Shock	100m/s ² (10G) , 3 times each in direction of X, Y and Z				
Temperature characteristic		±3% F.S. of detected pressure (25°C) at temp. Range of 0 ~ 50°C			
Port size *4		F1 : R1/4" , M5; F2 : NPT1/4" , #10-32 UNF; F3 : G1/4" (BSPP) , M5			
Lead wire		Oil-resistance cable (0.15mm ²)			
Weight		Approx. 110g (Rear ported) ; Approx. 145g (Bottom ported)			

[NOTE] *1. Hysteresis value is adjustable within 1 ~ 8 digits for one point set mode and window comparator mode.

*2. If analog voltage output is selected, the analog current output cannot be selected at the same time.

*3. If analog current output is selected, the analog voltage output cannot be selected at the same time.

*4. G port O-Ring material is NBR. if any special request, please contact KITA.

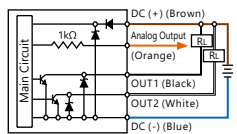
*5. If set pressure unit is psi, the value requires to ten multiply by display value.

PANEL DESCRIPTION

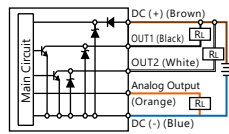


OUTPUT CIRCUIT WIRING DIAGRAMS

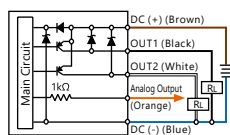
KP52H□-010-□ 2 NPN + Analog Output (1 ~ 5V)



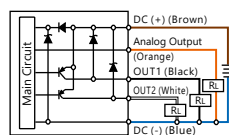
KP52H□-011-□ 2 NPN + Analog Output (4 ~ 20mA)



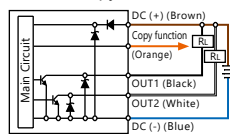
KP52H□-030-□ 2 PNP + Analog Output (1 ~ 5V)



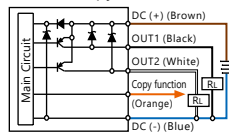
KP52H□-031-□ 2 PNP + Analog Output (4 ~ 20mA)



KP52H□-02-□ 2 NPN + Copy Function

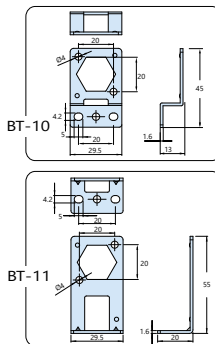
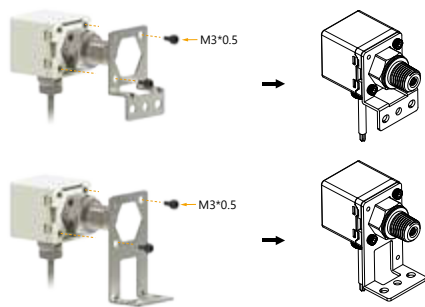


KP52H□-04-□ 2 PNP + Copy Function

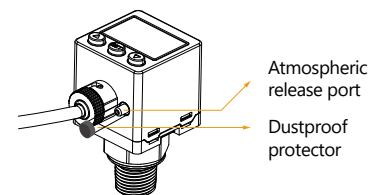


OPTIONAL PARTS DIMENSIONS

1 Mounting Bracket

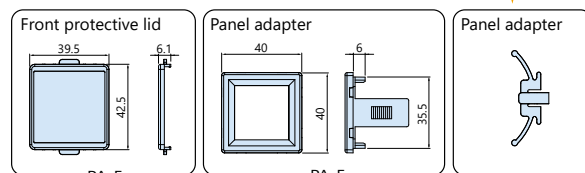
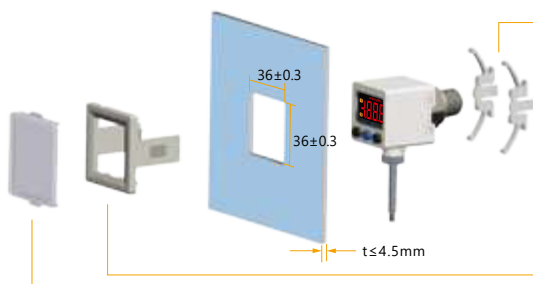


3 IP65 Protector



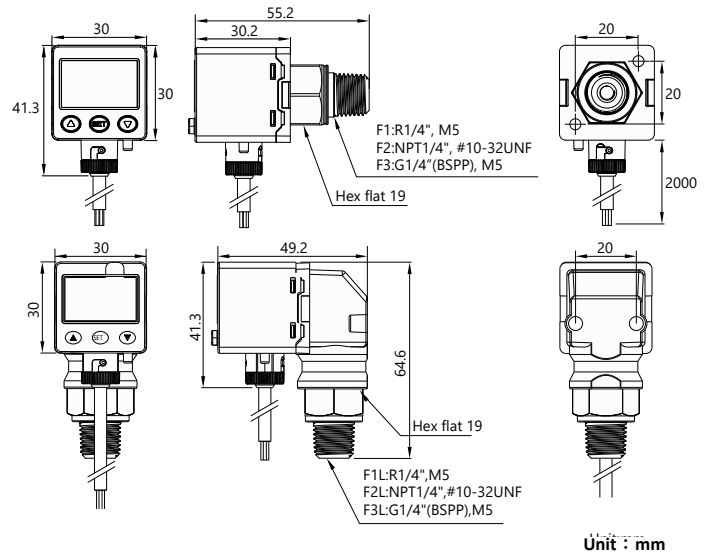
Caution :
This device must be installed to maintain IP 65 (Dust and splash proof) enclosure rating.

2 Panel Mount Adapter + Front Protective Lid



Unit : mm

DIMENSIONS



ORDERING INFORMATION

K P 5 2 H □ - 0 1 0 - F 1 □

Pressure Range

07 (0 ~ 7.00 MPa)
10 (0 ~ 10.00 MPa)
25 (0 ~ 25.0 MPa)
40 (0 ~ 40.0 MPa)

Pressure Port

F1 : R1/4", M5
F2 : NPT1/4", #10-32UNF
F3 : G1/4"(BSPP), M5

Piping Direction

Blank : Rear ported
L : Bottom ported

Output Specifications

010 : 2 NPN Output & Analog Output (1 ~ 5V)
011 : 2 NPN Output & Analog Output (4 ~ 20mA)
02 : 2 NPN Output & Copy Function
030 : 2 PNP Output & Analog Output (1 ~ 5V)
031 : 2 PNP Output & Analog Output (4 ~ 20mA)
04 : 2 PNP Output & Copy Function

Optional Parts

BT-10 : Mounting bracket
BT-11 : Mounting bracket
PA-E : Panel adapter
PA-F : Panel adapter + Front protective lid
I-0360 : Snubber (for Pressure Port F1&F3)
I-0379 : Snubber (for Pressure Port F2)

* KP52H are suggested to select a snubber.