

KP75 ^{RoHS} SERIES

FEATURES

- Corrosive fluid or gas available
- Sensor parts & Fitting parts : Stainless steel 316L
- 2-color digital LCD display
- Remote control / Real-time monitoring
- RS-485 Modbus RTU/ASCII
- 3½ digit, 7 segment LCD display
- IP65 enclosure



SPECIFICATIONS

MODEL		KP75C (Compound)	KP75P (Positive)	KP75H02 (High)	KP75H07 (High)	KP75H10 (High)	KP75H25 (High)	KP75H40 (High)
Rated pressure range		-100.0 ~ 100.0kPa	0.000 ~ 1.000MPa	0.000 ~ 2.00MPa	0.00 ~ 7.00MPa	0.00 ~ 10.00MPa	0.0 ~ 25.0MPa	0.0 ~ 40.0MPa
Setting pressure range		-101.0 ~ 101.0kPa	-0.100 ~ 1.000MPa	-0.100 ~ 2.00MPa	0.00 ~ 7.00MPa	0.00 ~ 10.00MPa	0.0 ~ 25.0MPa	0.0 ~ 40.0MPa
Withstand pressure		300kPa	3MPa	3MPa	14MPa	20MPa	50MPa	80MPa
Fluid		Fluids do not corrode stainless steel 316L			Fluids do not corrode stainless steel 316L, fluororubber (FKM)			
Sealed liquid		Silicon oil						
Set pressure resolution	kPa	0.1	-	-	-	-	-	-
	MPa	-	0.001	0.001 (~1.999) 0.01 (2.00~)	0.01	0.01	0.1	0.1
	kgf/cm ²	0.001	0.01	0.01 (~19.99) 0.1 (20.0~)	0.1	0.1	1	1
	bar	0.001	0.01	0.01 (~19.99) 0.1 (20.0~)	0.1	0.1	1	1
	psi	0.01	0.1	0.1 (~199.9) 1 (200~)	1	1	1 *1	1 *1
	inHg	0.1	-	-	-	-	-	-
Power supply voltage		12 to 24V DC ±10%, Ripple (P-P) 10% or less						
Current consumption		≤ 40mA (With no load)						
Switch output		1NPN or 1PNP open collector Max. load current : 125mA Max. supply voltage : 1 NPN 30V DC, 1 PNP 24V DC Residual voltage : ≤ 1.5V						
Repeatability (Switch output)		±0.3% F.S. ±1 digit						
Response time		≤ 2.5ms (chattering-proof function : 25ms, 100ms, 250ms, 500ms, 1000ms and 1500ms selections)						
Output short circuit protection		Yes						
7 segment LCD display		3½ digit, 7segment (red/ green)						
Indicator accuracy		±2% F.S. ±1 digit (ambient temperature : 25 ±3°C)						
Switch ON Indicator		Orange (1 Indicator) OUT1						
Updates time		About 0.2s (0.5s, 1s, 1.5s selectable)						
Environment	Enclosure	IP65						
	Ambient temp. range	Operation : 0 ~ 50°C, Storage : -10 ~ 60°C (No condensation or freezing)						
	Ambient humidity range	35 ~ 85% RH (No condensation)						
	Withstand voltage	250V AC in 1-min (between case and lead wire)						
	Insulation resistance	50MΩ (at 500V DC, between case and lead wire)						
	Vibration	Total amplitude 1.5mm or 10G, 10Hz-55Hz-10Hz scan for 1 minute, two hours each direction of X, Y and Z						
Shock	100m/s ² (10G), 3 times each in direction of X, Y and Z							
Temperature characteristic		±3% F.S. of detected pressure (25°C) at temp. Range of 0 ~ 50°C						
Port size *2		F1 : R1/4", M5、F2 : NPT1/4", #10-32UNF、F3 : G1/4" (BSPP), M5						
Lead wire		Oil-resistance cable (0.15mm ²)						
Weight		Approx. 110g (Rear ported) ; Approx. 150g (Bottom ported)						

[NOTE] *1. When using a unit psi, please multiply display value by 10.

*2. G port O-Ring material is NBR. if any special request, please contact KITA.

PANEL DESCRIPTION



ORDERING INFORMATION

K P 7 5 □ - 0 2 - F 1 □

Pressure Range

C : Compound (-101.0 ~ 101.0kPa)
 P : Positive (-0.100 ~ 1.000MPa)
 H02 : High (-0.100 ~ 2.00MPa)
 H07 : High (0.00 ~ 7.00MPa)
 H10 : High (0.00 ~ 10.00MPa)
 H25 : High (0.00 ~ 25.0MPa)
 H40 : High (0.00 ~ 40.0MPa)

Pressure Port

F1 : R 1/8", M5
 F2 : NPT 1/8", #10-32UNF
 F3 : G 1/8" (BSPP), M5

Output Specifications

02 : NPN output + RS485
 04 : PNP output + RS485

Piping Direction

Blank : Rear ported
 L : Bottom ported

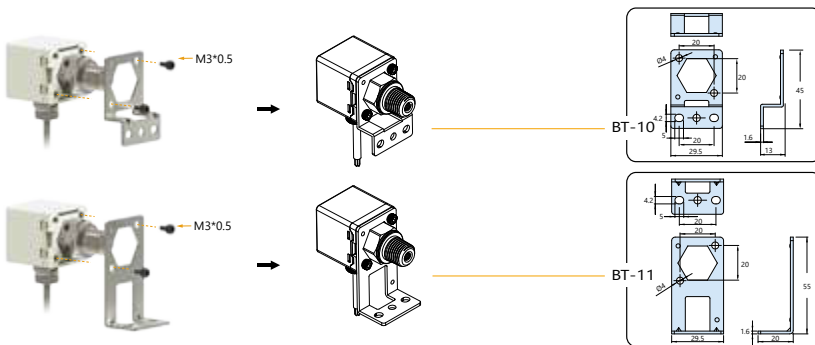
Optional Parts

BBT-10 : Mounting bracket
 BT-11 : Mounting bracket
 PA-E : Panel adapter
 PA-F : Panel adapter + Front protective lid
 I-0360 : Snubber (for Pressure Port F1&F3)
 I-0379 : Snubber (for Pressure Port F2)

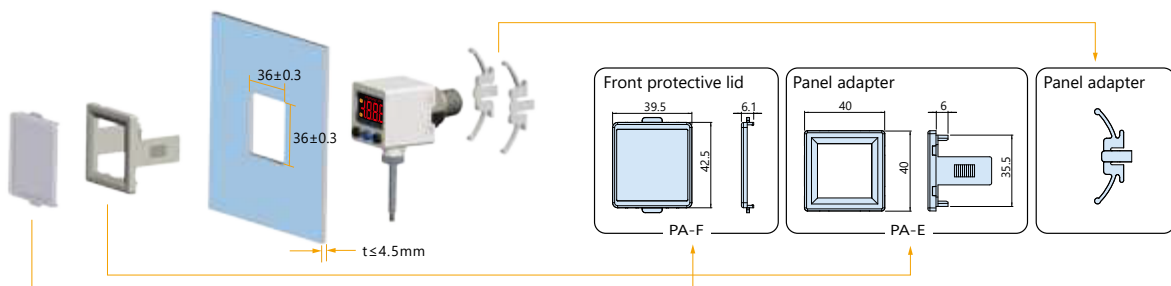
*KP75P & KP75H suggest to select a snubber

OPTIONAL PARTS DIMENSIONS

1 Mounting Bracket

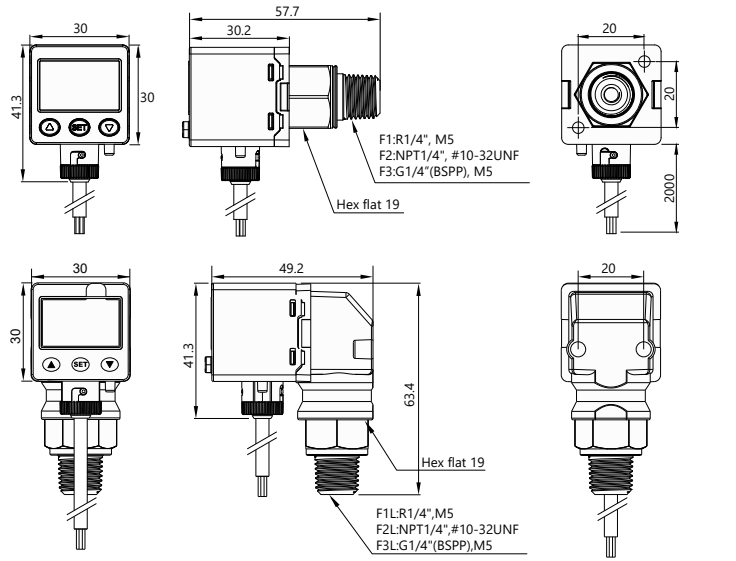


2 Panel Mount Adapter + Front Protective Lid



Unit : mm

DIMENSIONS

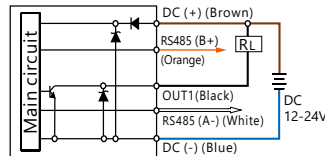


Unit : mm

OUTPUT CIRCUIT WIRING DIAGRAMS

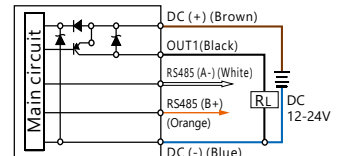
KP75□-02-□

NPN output + RS485

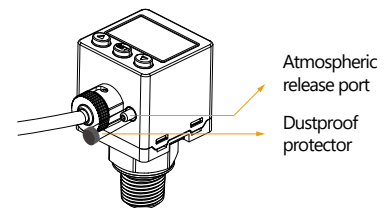


KP75□-04-□

PNP output + RS485



3 IP65 Protector



Caution :
 This device must be installed to maintain IP 65 (Dust and splash proof) enclosure rating.